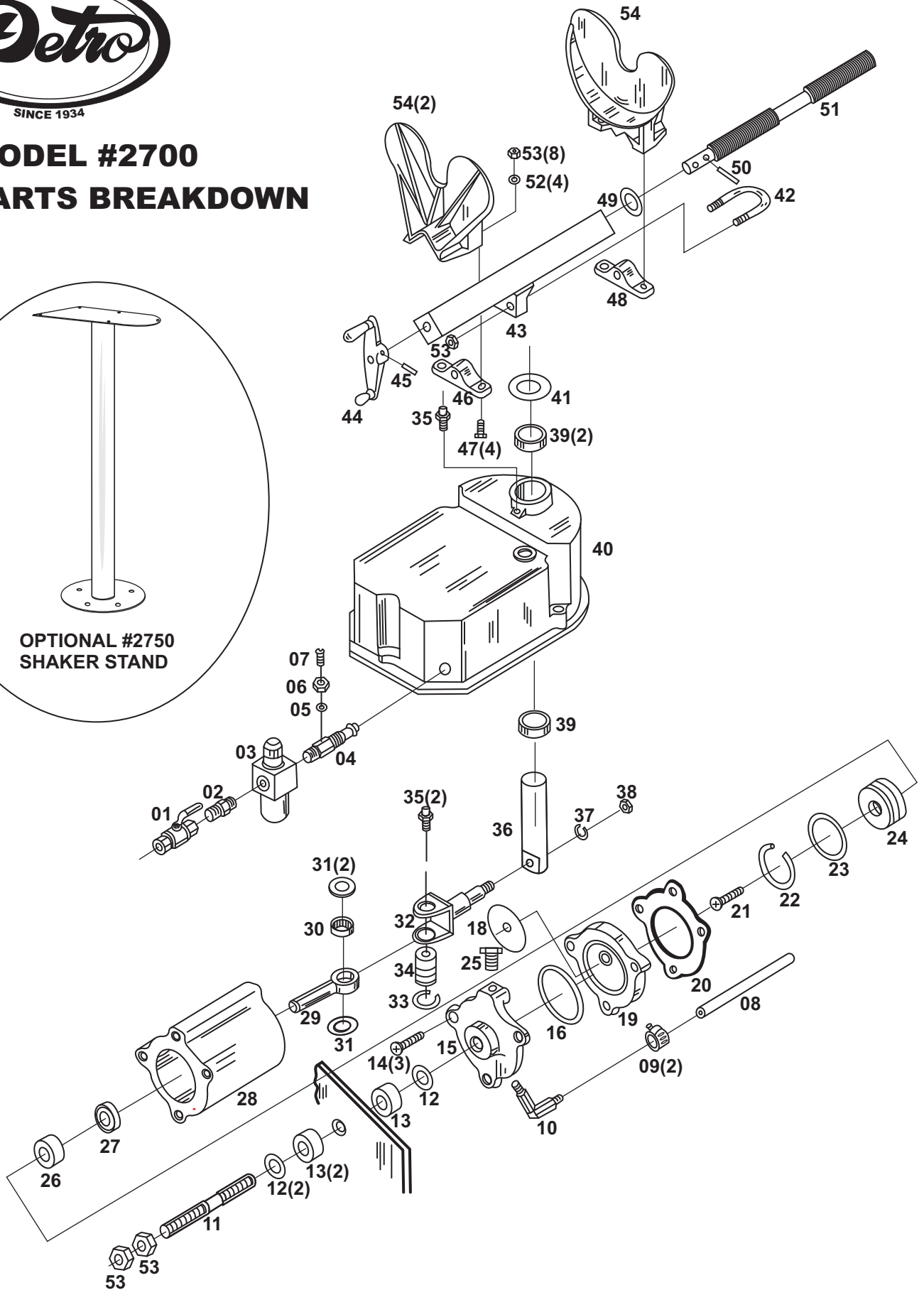
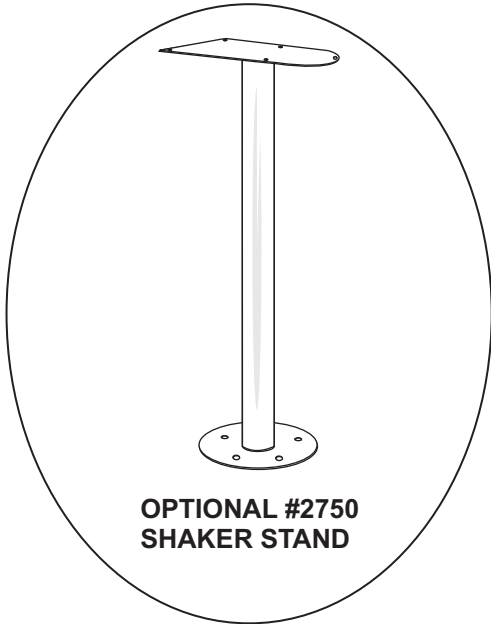




MODEL #2700 PARTS BREAKDOWN



Model# 2700 Air Operated Paint Shaker Parts List

Drawing No	Part No.	Description	Qty.
01	80101	Control Valve	1
02	80102	Brass Nipple	1
03	80103	Oiler For #2300	1
04	80104	Inlet Fitting	1
05	80105	Adj. Seal	1
06	80106	Adj. Nut	1
07	80107	Adj. Screw	1
08	80108	Air Hose	1
09	80109	Hose Clamp	1
10	80110	Inlet Ell Fitting	1
11	80111	Cylinder Stand	1
12	80112	Shock Metal Washer	2
13	80113	Shock Rubber Washer	2
14	80114	Valve Body O-Ring	3
15	80115	Lower Valve Body	1
16	80116	Valve Body O-Ring	1
17	80117	Cap Screw.	1
18	80118-27	Valve Disc Model# 2700	1
19	80119	Upper Valve Body	1
20	80120	Packing	1
21	80121	Piston Screw	1
22	80122	Wear Ring	1
23	80123	Piston O-Ring	1
24	80124	Piston	1
25	80125	Cock Air	1
26	80126	Rod Bearing	1
27	80127	Rod Seal	1

Drawing No	Part No.	Description	Qty.
28	80128	Cylinder Body	1
29	80129	Cylinder Rod	1
30	80130	Rod End Bearing	1
31	80131	Crank Thrust Washer	2
32	80132	Crank Arm	1
33	80133	Retaining Ring Clip	2
34	80134	Crank Pin	1
35	80135	Zerk Fitting	1
36	80136	Main Shaft	1
37	80137	Spring Lock Washer	1
38	80138	1/2-12 Nut	1
39	80139	Main Shaft Bushing	2
40	80140	Housing Assembly	1
41	80141	Thrust Washer	1
42	80142	U-Bolts	1
43	80143	Clamp Frame Weld	1
44	80144	Handle	1
45	80145	Roll Pin	1
46	80146	Clamp Nut (L.H.)	1
47	80147	Jaw Bolt	4
48	80148	Clamp Nut (R.H.)	1
49	80149	Thrust Washer	1
50	80150	Roll Pin	1
51	80151	Clamp Screw	1
52	80152	N/A	0
53	80153	3/8-16 Nut	4
54	80154	Jaw	2